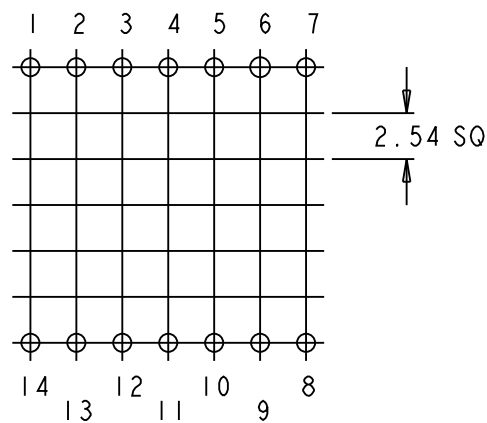
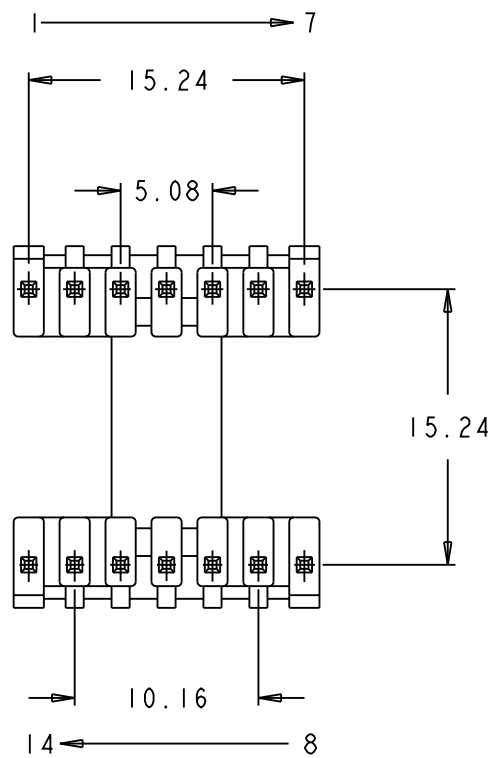
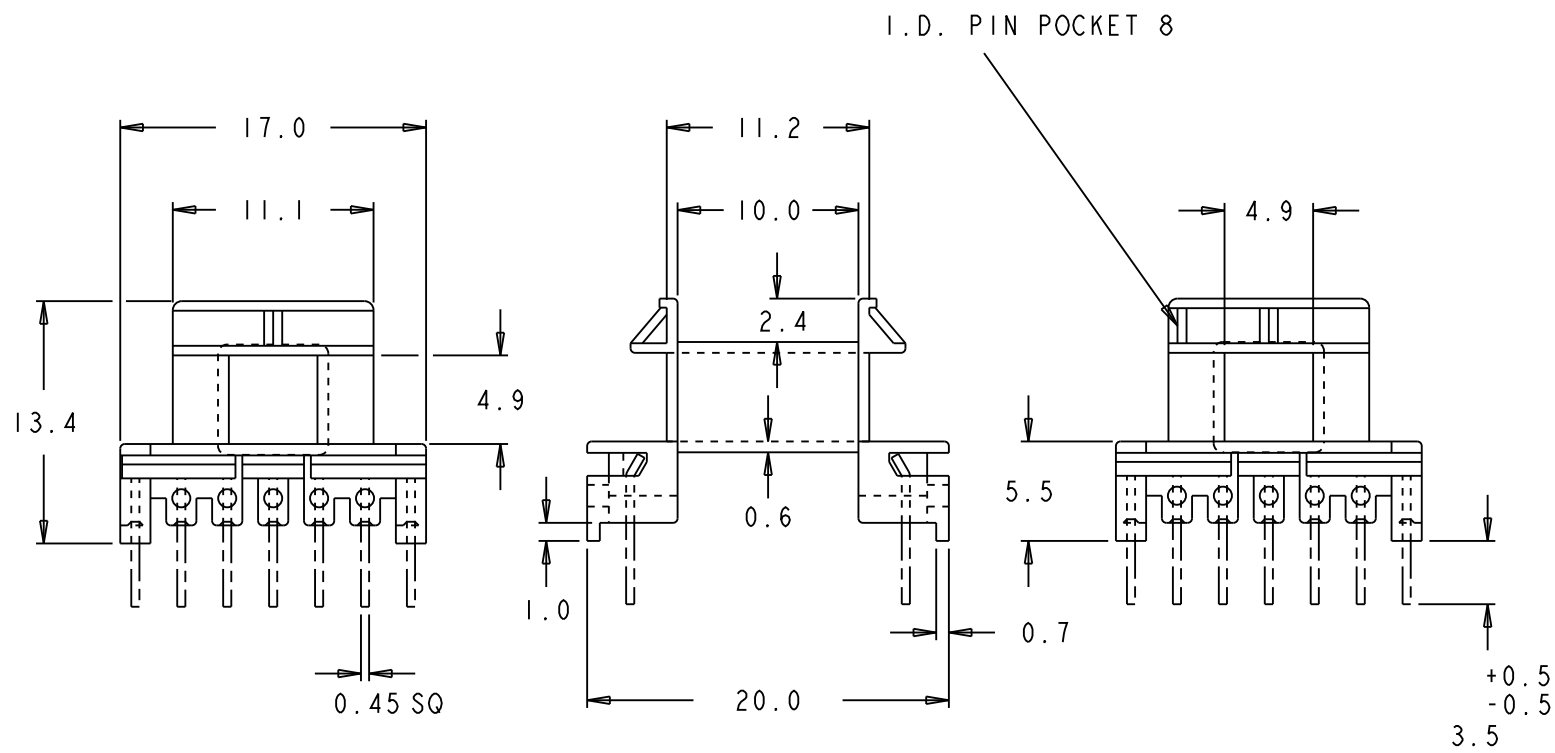


Part No. FE0047
 EF16 Single Section 14 Pin Bobbin



Dimensions in millimetres.



Issue 3

-	-	-	-
-	-	-	-
-	-	-	-
-	-	-	-
-	-	-	-
-	-	-	-
3	2153	05/03/20	A.M.
2	1717	23/10/03	J.Q.
1	-	03/10/02	J.H.
Iss.	E.C.N.No.	Date.	App.

CD
658